

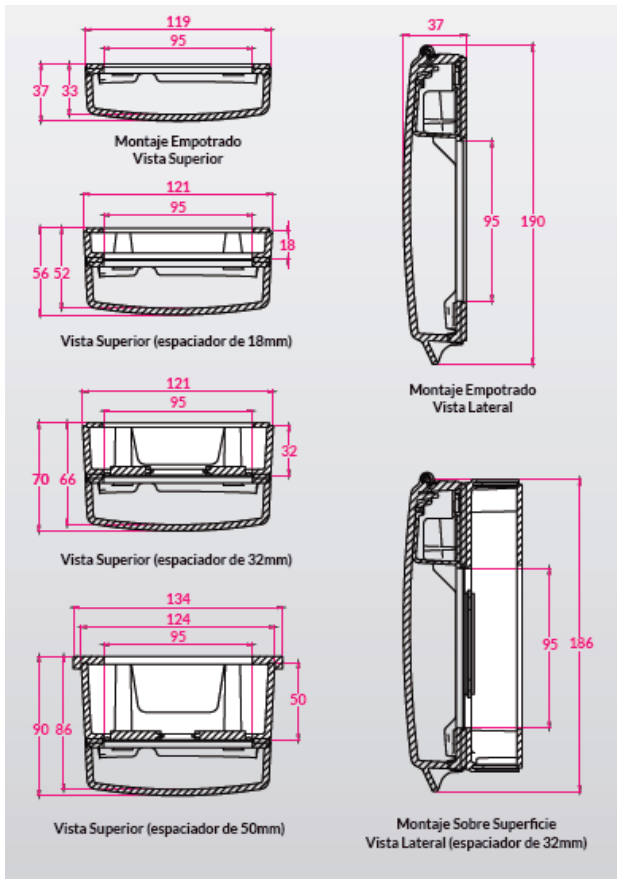
PUSHBUTTON PROTECTOR FOR OUTDOORS

AE/V-SGE

Description

Easy-to-install polycarbonate protective cover valid for AE/SA-PT and AE/V-PSAT pushbuttons. Ideal to protect them from vandalism, accidental damage or misuse. It includes an alarm with integrated battery and when lifting the cover, the device emits a pre-alarm of 90dB, alerting the user that the device is only for emergencies.

Dimensions



TECHNICAL CHARACTERISTICS

- Designed for easy installation, it can be installed in just minutes.
- Its design is aesthetic and modern.
- An additional 90dB battery alarm can be installed to increase the security of the device being protected.
- The battery has a duration of 3 years, and incorporates a low consumption LED.
- An additional gasket can be installed to prevent misuse, with the gasket only being removed in an emergency.
- 3 different mounting gap options: 18mm, 32mm (standard) and 50mm.



To increase safety: a joint that will be broken in an emergency



A full rotation hinge increases protection against vandalism

